
Instruction Manual

Model 7017
800MHz Multiplexer Card

Contains Operating and Servicing Information

KEITHLEY

WARRANTY

Keithley Instruments, Inc. warrants this product to be free from defects in material and workmanship for a period of 1 year from date of shipment.

Keithley Instruments, Inc. warrants the following items for 90 days from the date of shipment: probes, cables, rechargeable batteries, diskettes, and documentation.

During the warranty period, we will, at our option, either repair or replace any product that proves to be defective.

To exercise this warranty, write or call your local Keithley representative, or contact Keithley headquarters in Cleveland, Ohio. You will be given prompt assistance and return instructions. Send the product, transportation prepaid, to the indicated service facility. Repairs will be made and the product returned, transportation prepaid. Repaired or replaced products are warranted for the balance of the original warranty period, or at least 90 days.

LIMITATION OF WARRANTY

This warranty does not apply to defects resulting from product modification without Keithley's express written consent, or misuse of any product or part. This warranty also does not apply to fuses, software, non-rechargeable batteries, damage from battery leakage, or problems arising from normal wear or failure to follow instructions.

THIS WARRANTY IS IN LIEU OF ALL OTHER WARRANTIES, EXPRESSED OR IMPLIED, INCLUDING ANY IMPLIED WARRANTY OF MERCHANTABILITY OR FITNESS FOR A PARTICULAR USE. THE REMEDIES PROVIDED HEREIN ARE BUYER'S SOLE AND EXCLUSIVE REMEDIES.

NEITHER KEITHLEY INSTRUMENTS, INC. NOR ANY OF ITS EMPLOYEES SHALL BE LIABLE FOR ANY DIRECT, INDIRECT, SPECIAL, INCIDENTAL OR CONSEQUENTIAL DAMAGES ARISING OUT OF THE USE OF ITS INSTRUMENTS AND SOFTWARE EVEN IF KEITHLEY INSTRUMENTS, INC., HAS BEEN ADVISED IN ADVANCE OF THE POSSIBILITY OF SUCH DAMAGES. SUCH EXCLUDED DAMAGES SHALL INCLUDE, BUT ARE NOT LIMITED TO: COSTS OF REMOVAL AND INSTALLATION, LOSSES SUSTAINED AS THE RESULT OF INJURY TO ANY PERSON, OR DAMAGE TO PROPERTY.

The logo for Keithley Instruments, featuring the word "KEITHLEY" in a bold, white, sans-serif font inside a black rectangular box.

Keithley Instruments, Inc. • 28775 Aurora Road • Cleveland, OH 44139 • 216-248-0400 • Fax: 216-248-6168 • <http://www.keithley.com>

CHINA:	Keithley Instruments China • Yuan Chen Xin Building, Room 705 • No. 12 Yumin Road, Dewei, Madian • Beijing, China 100029 • 8610-2022886 • Fax: 8610-2022896
FRANCE:	Keithley Instruments SARL • BP 60 • 3 allée des Garays • 91122 Palaiseau Cédex • 31-6-0115155 • Fax: 31-6-0117726
GERMANY:	Keithley Instruments GmbH • Landsberger Straße 65 • 82110 Germering • 49-89-849307-0 • Fax: 49-89-84930759
GREAT BRITAIN:	Keithley Instruments, Ltd. • The Minster • 58 Portman Road • Reading, Berkshire RG30 1EA • 44-01734-575666 • Fax: 44-01734-596469
ITALY:	Keithley Instruments SRL • Viale S. Gimignano 38 • 20146 Milano • 39-2-48303008 • Fax: 39-2-48302274
JAPAN:	Keithley Instruments Far East KK • Aibido Bldg. • 7-20-2 Nishishinjuku • Shinjuku-ku, Tokyo 160 • 81-3-5389-1964 • Fax: 81-3-5389-2068
NETHERLANDS:	Keithley Instruments BV • Avelingen West 49 • 4202 MS Gorinchem • 31-(0)183-635333 • Fax: 31-(0)183-630821
SWITZERLAND:	Keithley Instruments SA • Kriesbachstrasse 4 • 8600 Dübendorf • 41-1-8219444 • Fax: 41-1-8203081
TAIWAN:	Keithley Instruments Taiwan • 1, Ming-Yu First Street • Hsinchu, Taiwan, R.O.C. • 886-35-778462 • Fax: 886-35-778455

Model 7017 800MHz Multiplexer Card Instruction Manual

©1996, Keithley Instruments, Inc.
Test Instrumentation Group
All rights reserved.
Cleveland, Ohio, U.S.A.
First Printing, August 1996
Document Number: 7017-901-01 Rev. A

Manual Print History

The print history shown below lists the printing dates of all Revisions and Addenda created for this manual. The Revision Level letter increases alphabetically as the manual undergoes subsequent updates. Addenda, which are released between Revisions, contain important change information that the user should incorporate immediately into the manual. Addenda are numbered sequentially. When a new Revision is created, all Addenda associated with the previous Revision of the manual are incorporated into the new Revision of the manual. Each new Revision includes a revised copy of this print history page.

Revision A (Document Number 7017-901-01)..... August 1996

Safety Precautions

The following safety precautions should be observed before using this product and any associated instrumentation. Although some instruments and accessories would normally be used with non-hazardous voltages, there are situations where hazardous conditions may be present.

This product is intended for use by qualified personnel who recognize shock hazards and are familiar with the safety precautions required to avoid possible injury. Read the operating information carefully before using the product.

Exercise extreme caution when a shock hazard is present. Lethal voltage may be present on cable connector jacks or test fixtures. The American National Standards Institute (ANSI) states that a shock hazard exists when voltage levels greater than 30V RMS, 42.4V peak, or 60VDC are present. **A good safety practice is to expect that hazardous voltage is present in any unknown circuit before measuring.**

Before operating an instrument, make sure the line cord is connected to a properly grounded power receptacle. Inspect the connecting cables, test leads, and jumpers for possible wear, cracks, or breaks before each use.

For maximum safety, do not touch the product, test cables, or any other instruments while power is applied to the circuit under test. ALWAYS remove power from the entire test system and discharge any capacitors before: connecting or disconnecting cables or jumpers, installing or removing switching cards, or making internal changes, such as installing or removing jumpers.

Do not touch any object that could provide a current path to the common side of the circuit under test or power line (earth) ground. Always make measurements with dry hands while standing on a dry, insulated surface capable of withstanding the voltage being measured.


Do not exceed the maximum signal levels of the instruments and accessories, as defined in the specifications and operating information, and as shown on the instrument or test fixture panels, or switching card.


Do not connect switching cards directly to unlimited power circuits. They are intended to be used with impedance limited sources. NEVER connect switching cards directly to AC main. When connecting sources to switching cards, install protective devices to limit fault current and voltage to the card.

When fuses are used in a product, replace with same type and rating for continued protection against fire hazard.

Chassis connections must only be used as shield connections for measuring circuits, NOT as safety earth ground connections.

If you are using a test fixture, keep the lid closed while power is applied to the device under test. Safe operation requires the use of a lid interlock.

If a  screw is present, connect it to safety earth ground using #18 AWG or larger wire.

The  symbol on an instrument or accessory indicates that 1000V or more may be present on the terminals. Refer to the product manual for detailed operating information.

Instrumentation and accessories should not be connected to humans.

Maintenance should be performed by qualified service personnel. Before performing any maintenance, disconnect the line cord and all test cables.

MULTIPLEXERS PER CARD: 2(with isolated ground).
CHARACTERISTIC IMPEDANCE: 50Ω nominal.
CHANNELS PER MULTIPLEXER: 4.
CONTACT CONFIGURATION: 1 pole Form A, common shield.
RELAY DRIVE CURRENT: 26mA per channel.
CONNECTOR TYPE: SMA.
RECOMMENDED CABLE: RG-223/U.
ACTUATION TIME: 1ms.
MAXIMUM VOLTAGE: 42V peak.
MAXIMUM CURRENT: 1A carry/0.5A switched.
MAXIMUM POWER: 10VA.
ISOLATION:
 Multiplexer to Multiplexer: >10⁹Ω.
 Center to Shield: >10⁹Ω, <60pF.
 Channel to Channel: >10⁹Ω.
CONTACT POTENTIAL: <25μV.
CONTACT RESISTANCE: <0.5Ω initial, 1Ω at end of contact life.
CONTACT LIFE: 1V, 10mA: 10⁸ closures. 20V, 0.5A: 5×10⁴ closures.
AC PERFORMANCE:

For $Z_L = Z_S = 50\Omega$

	≤10 MHz	≤100 MHz	≤500 MHz	≤800 MHz
Insertion Loss (dB):	<0.35	<1.0	<2.0	<3.0
Crosstalk (dB)¹				
Channel-Channel	<-60	<-40	<-35	<-30
Mux. to Mux.	<-80	<-60	<-60	<-55

VSWR: <1.2 @ 100MHz.

¹Specification assumes 50Ω termination.

ENVIRONMENT:Operating: 0° to 50°C, up to 35°C at <80% R.H.
Storage: -25°C to 65°C.

Specifications are subject to change without notice.

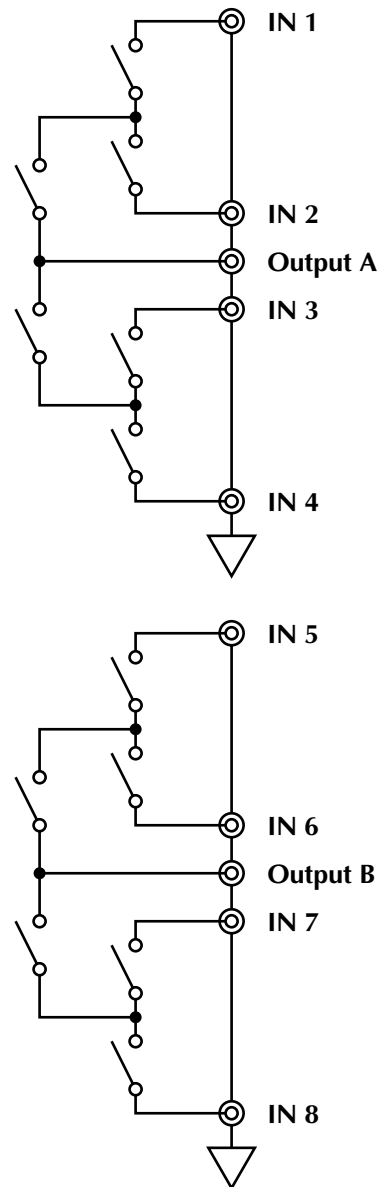


Table of Contents

1 General Information

1.1	Introduction	1-1
1.2	Features	1-1
1.3	Warranty information	1-1
1.4	Manual addenda	1-1
1.5	Safety symbols and terms	1-1
1.6	Specifications	1-1
1.7	Unpacking and inspection	1-2
1.7.1	Inspection for damage	1-2
1.7.2	Handling precautions	1-2
1.7.3	Shipment contents	1-2
1.7.4	Instruction manual	1-2
1.7.5	Repacking for shipment	1-2
1.8	Recommended cables and connectors	1-2

2 Connections and Installation

2.1	Introduction	2-1
2.2	Handling precautions	2-1
2.3	Connections	2-1
2.3.1	Simplified schematic	2-1
2.3.2	Card configuration	2-1
2.3.3	Input/output connecting cables	2-3
2.3.4	Typical connecting scheme	2-3
2.4	Card installation and removal	2-3
2.4.1	Card installation	2-4
2.4.2	Card removal	2-4

3	Operation	
3.1	Introduction	3-1
3.2	Signal limitations	3-1
3.3	Front panel control.....	3-1
3.3.1	Closing and opening channels	3-1
3.3.2	Scanning channels	3-2
3.4	IEEE-488 bus control	3-2
3.4.1	Closing and opening channels	3-2
3.4.2	Scanning channels	3-2
3.5	Switching considerations	3-2
3.5.1	Card characteristics.....	3-2
3.5.2	Cable characteristics	3-3
3.6	Applications	3-3
3.6.1	Multiplexer expansion	3-3
3.6.2	Filter testing	3-7
3.6.3	Tape head production testing.....	3-7

4	Servicing	
4.1	Introduction	4-1
4.2	Handling and cleaning precautions.....	4-1
4.2.1	Handling precautions	4-1
4.2.2	Soldering considerations.....	4-1
4.3	Performance verification	4-1
4.3.1	Environmental conditions	4-2
4.3.2	Recommended verification equipment	4-2
4.3.3	Insertion loss tests	4-2
4.3.4	Isolation tests	4-4
4.4	Special handling of static-sensitive devices	4-8
4.5	Principles of operation	4-8
4.5.1	Block diagram.....	4-8
4.5.2	Relay control.....	4-9
4.5.3	Switching circuits	4-9
4.5.4	Card configuration memory.....	4-9
4.6	Troubleshooting	4-9
4.6.1	Troubleshooting equipment	4-9
4.6.2	Troubleshooting procedure	4-9

5	Replaceable Parts	
5.1	Introduction.....	5-1
5.2	Parts list	5-1
5.3	Ordering information	5-1
5.4	Factory service.....	5-1
5.5	Component layout and schematic diagram.....	5-1

List of Illustrations

2 Connections and Installation

Figure 2-1	Model 7017 simplified schematic	2-2
Figure 2-2	Model 7017 card configuration	2-2
Figure 2-3	Typical connection scheme	2-3
Figure 2-4	Card installation in Model 7001	2-4
Figure 2-5	Card installation in Model 7002	2-5

3 Operation

Figure 3-1	“T” connector multiplexer expansion	3-4
Figure 3-2	Maintaining 50Ω characteristic impedance	3-5
Figure 3-3	4 × 4 matrix connections	3-6
Figure 3-4	Filter testing	3-7
Figure 3-5	Tape head production testing	3-8

4 Servicing

Figure 4-1	Connections for insertion loss tests	4-3
Figure 4-2	Connections for channel isolation tests	4-5
Figure 4-3	Connections for center-to-shield isolation tests	4-6
Figure 4-4	Connections for multiplexer-to-multiplexer isolation tests	4-7
Figure 4-5	Block diagram	4-8

List of Tables

4

Servicing

Table 4-1	Recommended verification equipment	4-2
Table 4-2	Insertion loss values	4-2
Table 4-3	Recommended troubleshooting equipment.....	4-9
Table 4-4	Troubleshooting procedure	4-10

5

Replaceable Parts

Table 5-1	Model 7017 parts list.....	5-2
-----------	----------------------------	-----

General Information

1.1 Introduction

This section contains general information about the Model 7017 800MHz Multiplexer Card. The Model 7017 is equipped with 2 four-channel multiplexers and is designed for 50 Ω operation.

1.2 Features

Key Model 7017 features include:

- Two independent four-channel multiplexers.
- Long relay contact life for high reliability.
- 50 Ω characteristic impedance.
- 800MHz bandwidth.
- Low insertion loss (<1dB @ 100MHz).
- Low VSWR assures good high-frequency performance.

1.3 Warranty information


Warranty information is located on the inside front cover of this manual. Should your Model 7017 require warranty service, contact the Keithley representative or authorized repair facility in your area for more information. When returning the card for repair, be sure to fill out and include the service form at the back of this manual in order to provide the repair facility with the necessary information.

1.4 Manual addenda

Any improvements or changes concerning the card or manual will be explained in an addendum included with the card.

1.5 Safety symbols and terms

The following symbols and terms may be found on an instrument or used in this manual.

The  symbol on equipment indicates that you should refer to the operating instructions located in the instruction manual.

The **WARNING** heading used in this manual explains dangers that could result in personal injury or death. Always read the associated information very carefully before performing the indicated procedure.

The **CAUTION** heading used in this manual explains hazards that could damage the multiplexer card. Such damage may invalidate the warranty.

1.6 Specifications

Model 7017 specifications are located at the front of this manual.

1.7 Unpacking and inspection

1.7.1 Inspection for damage

The Model 7017 is packaged in a re-sealable, anti-static bag to protect it from damage due to static discharge and from contamination that could degrade its performance. Before removing the card from the bag, observe the following handling precautions.

1.7.2 Handling precautions

- Always grasp the card by the side edges and covers. Do not touch the board surfaces or components.
- After removing the card from its anti-static bag, inspect it for any obvious signs of physical damage. Report any damage to the shipping agent immediately.
- When the card is not installed in a switching mainframe, keep the card in its anti-static bag and store it in the original packing carton.

1.7.3 Shipment contents

The following items are included with every Model 7017 order:

- Model 7017 800MHz Multiplexer Card
- Model 7017 Instruction Manual
- Additional accessories as ordered

1.7.4 Instruction manual

If an additional Model 7017 Instruction Manual is required, order the manual package, Keithley part number 7017-901-00. The manual package includes an instruction manual and any pertinent addenda.

1.7.5 Repacking for shipment

Should it become necessary to return the Model 7017 for repair, carefully pack the unit in its original packing carton or the equivalent, and include the following information:

- Call the Repair Department at 1-800-552-1115 for a Return Material Authorization (RMA) number.
- Advise as to the warranty status of the card.
- Write ATTENTION REPAIR DEPARTMENT and the RMA number on the shipping label.
- Fill out and include the service form located at the back of this manual.

1.8 Recommended cables and connectors

The recommended cable is RG223/U, and the recommended connector type is SMA. Other 50Ω cables may be used, but consider key parameters such as maximum outside diameter, attenuation over the desired frequency range, flexibility, and shield type. See paragraph 3.5 in Section 3 for more information on cable parameters and how they affect performance.

2

Connections and Installation

2.1 Introduction

WARNING

The procedures in this section are intended for qualified service personnel only. Do not perform these procedures unless you are qualified to do so. Failure to recognize and observe normal safety precautions could result in personal injury or death.

This section includes information on making connections to the Model 7017 and installing the card in the Model 7001/7002 Switch System.

2.2 Handling precautions

To maintain high-impedance isolation between channels, care should be taken when handling the card to avoid contamination from such foreign materials as body oils. Such contamination can reduce isolation resistance. To avoid possible contamination, always grasp the card by the side edges or covers. Do not touch board surfaces, components, or connector insulators.

Dirt build-up over a period of time is another possible source of contamination. To avoid this problem, operate the card in a clean environment. If the card becomes contaminated, it should be thoroughly cleaned as explained in paragraph 4.2.

2.3 Connections

The following paragraphs provide information for connecting external test circuitry to the Model 7017.

2.3.1 Simplified schematic

Figure 2-1 shows a simplified schematic diagram of the Model 7017. The card is arranged into two separate multiplexers, each with four channels.

2.3.2 Card configuration

Figure 2-2 shows the general configuration of the Model 7017. Connectors include:

- **IN 1-8 (channels 1-8):** Each input is equipped with an SMA coaxial connector. The center conductor is the signal path, while the outer shell is connected to signal common.
- **OUT A and OUT B:** Each multiplexer is equipped with an SMA coaxial connector. The center conductor is the signal path, and the shell is connected to signal common. Banks A and B common are isolated.

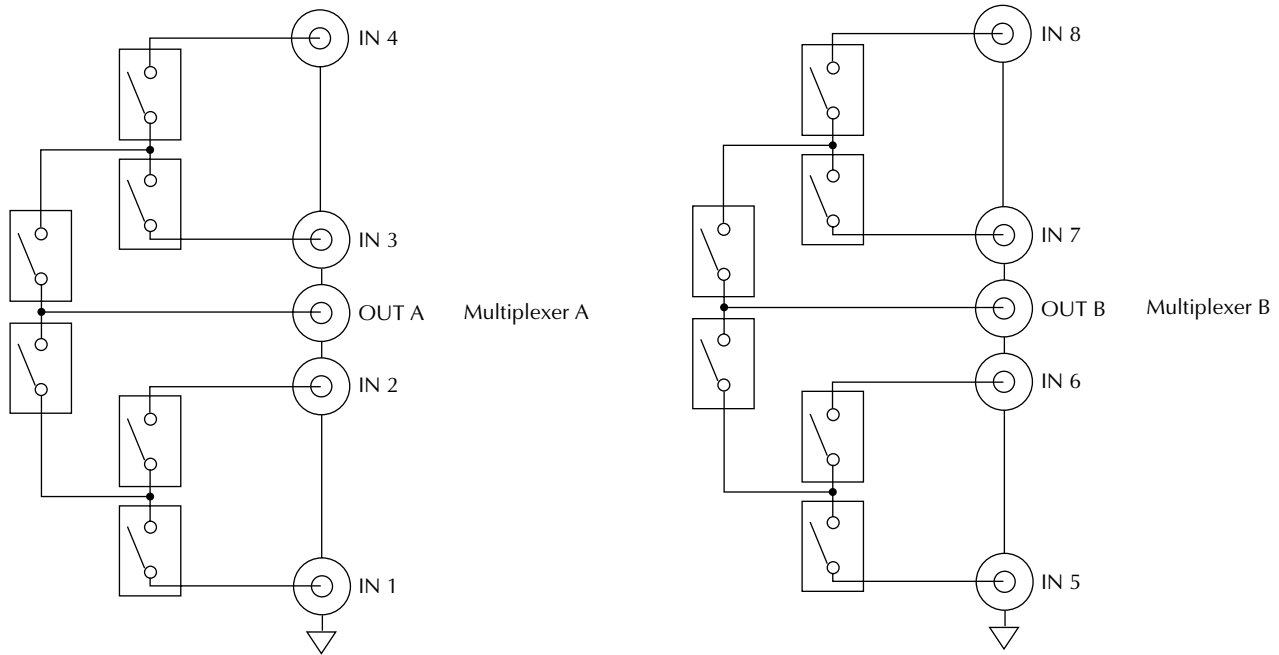


Figure 2-1
Model 7017 simplified schematic

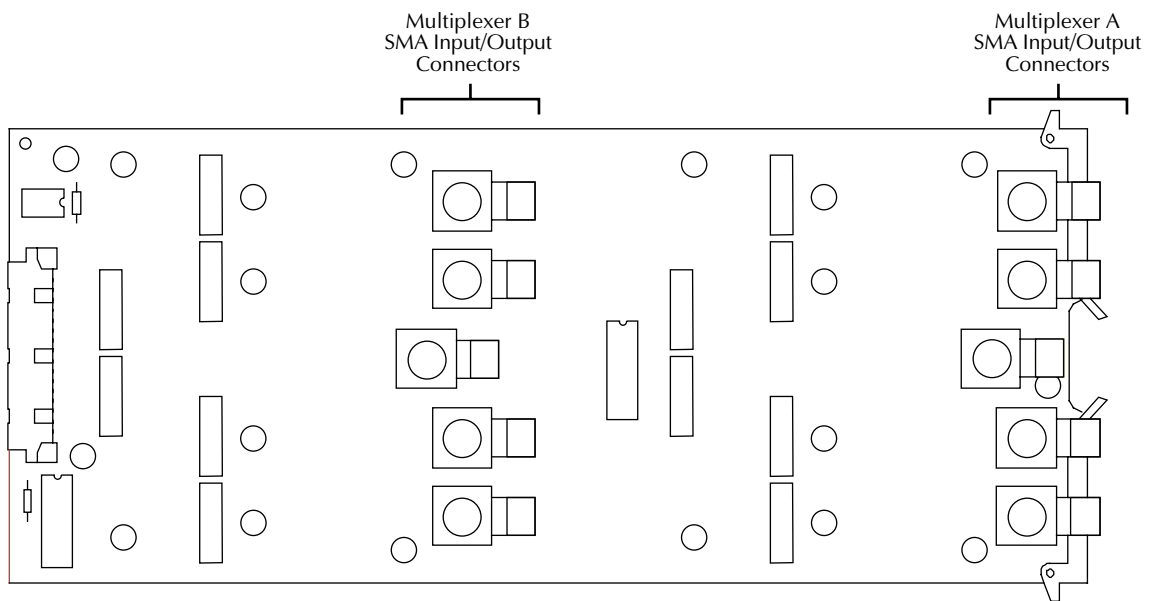


Figure 2-2
Model 7017 card configuration

2.3.3 Input/output connecting cables

All connections to the multiplexer card input and output jacks should be made using 50Ω coaxial cable equipped with SMA connectors. RG223/U is the recommended cable type.

WARNING

Make sure power is off and external energy sources are discharged before connecting or disconnecting cables.

NOTE

50Ω cables must be used to ensure good high-frequency performance. RG223/U cables should be used for best performance. See paragraph 3.5 for more information.

2.3.4 Typical connecting scheme

Figure 2-3 shows a typical connecting scheme for the Model 7017. In this arrangement, sources are connected to the inputs, and the measuring instrument is connected to the outputs.

CAUTION

Maximum voltage from any terminal (center conductor or shield) to any other terminal or chassis is 42V peak. Exceeding this value may result in card damage.

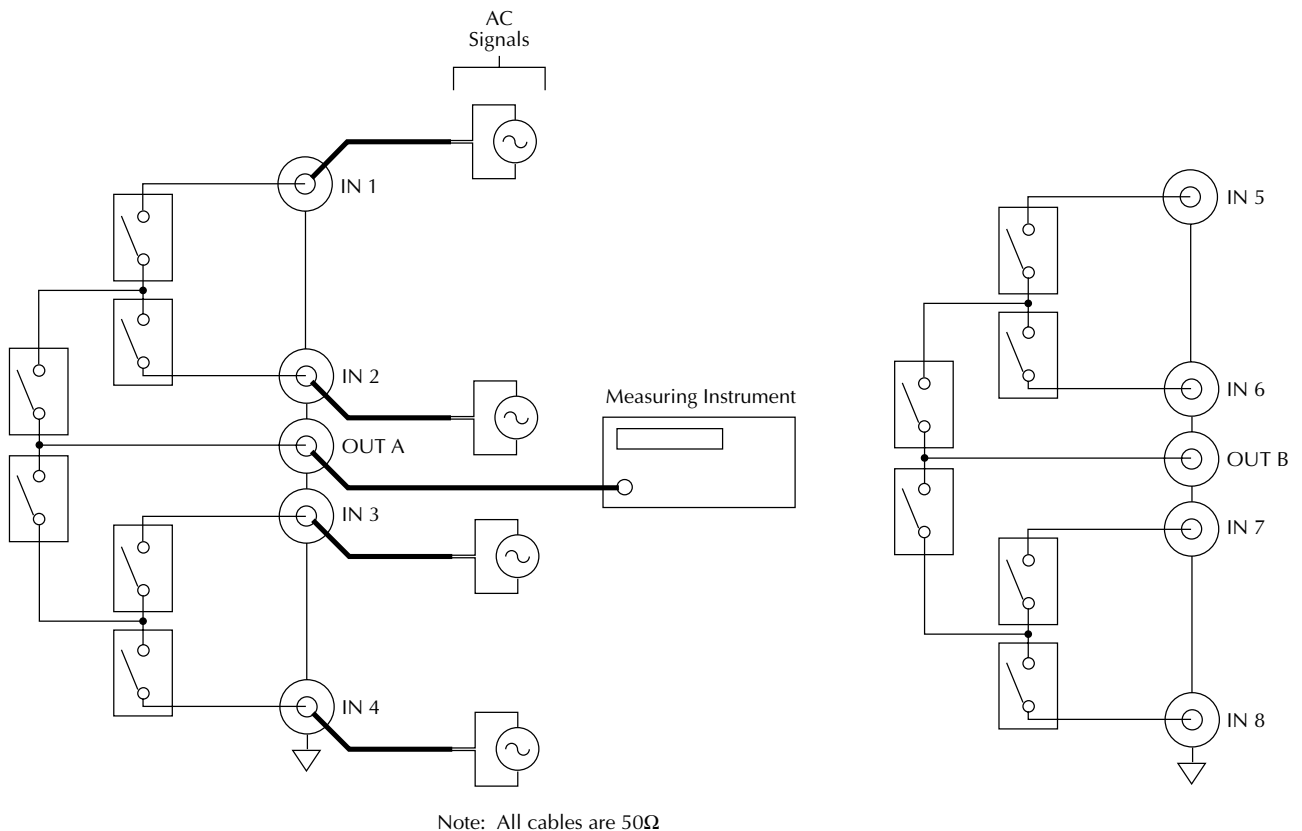


Figure 2-3
Typical connection scheme

2.4 Card installation and removal

The following paragraphs describe how to install and remove the Model 7017 card assembly from the Model 7001/7002 mainframe.

WARNING

Installation or removal of the Model 7017 should be performed by qualified service personnel only. Failure to recognize and observe standard safety precautions could result in personal injury or death.

NOTE

To prevent performance degradation caused by contamination, only handle the card by the edges and covers.

2.4.1 Card installation

After connecting the input/output cables, perform the following steps, and refer to Figure 2-4 or Figure 2-5 to install the card assembly in the Model 7001 or 7002 mainframe.

WARNING

Turn off power to all instrumentation (including the Model 7001/7002), and disconnect all line cords. Make sure all power is removed and any stored energy in external circuitry is discharged.

1. Open the ejector arms at the back edge of the card.
2. Slide the card edges into the guide rails inside the mainframe.
3. Carefully push the card all the way forward until the ejector arms engage the mounting cups.
4. Push in on the card edge and ejector arms until the card is properly seated.
5. Make sure the ejector arms are properly latched.

2.4.2 Card removal

Follow the steps below to remove the multiplexer card from the mainframe.

WARNING

Turn off power to all instrumentation (including the Model 7001/7002), and disconnect all line cords. Make sure all power is removed and any stored energy in external circuitry is discharged.

1. Pull out on the ejector arms until the card pulls free from the internal connector.
2. Carefully slide the card out of the switching mainframe.

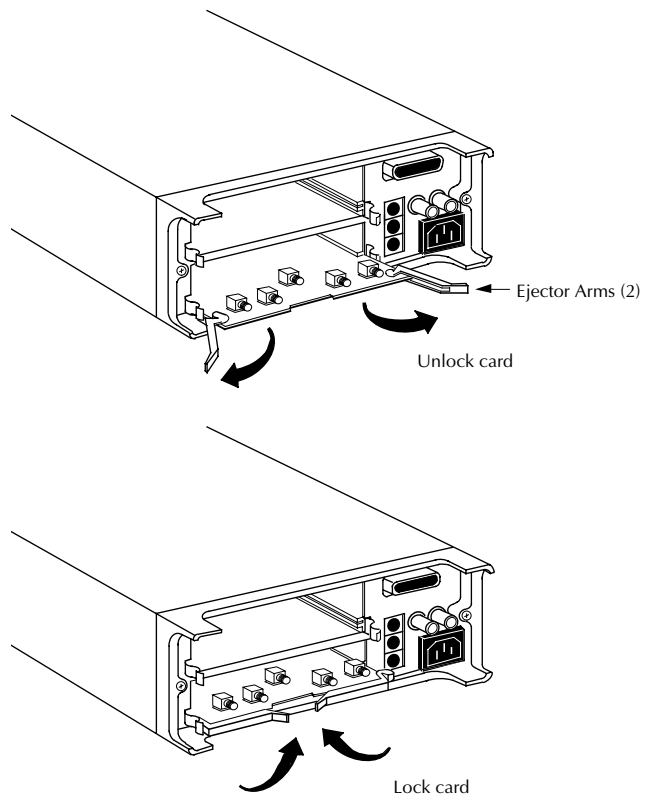


Figure 2-4
Card installation in Model 7001

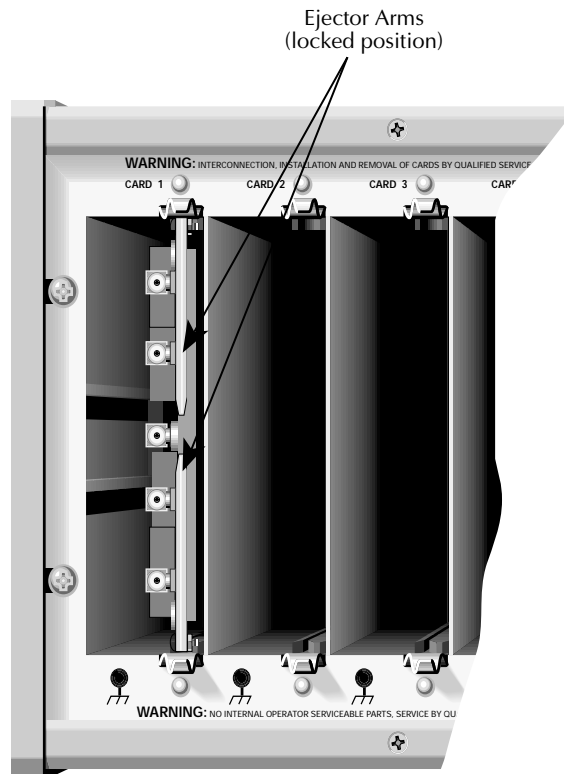


Figure 2-5
Card installation in Model 7002

3

Operation

3.1 Introduction

This section contains basic information on using the Model 7017 including signal limitations, switching considerations, and applications. For detailed mainframe operating information, refer to the Model 7001 or Model 7002 Instruction Manual.

3.2 Signal limitations

CAUTION

To prevent damage to the Model 7017, do not exceed the maximum signal level specifications of the card.

To prevent overheating or damage to the relays, never exceed the following maximum signal levels when using the Model 7017:

Maximum voltage: Any center conductor or shield to any other center conductor or to chassis: 42V peak.

Maximum current: 1A carry, 0.5A switched per channel.

Maximum power: 10VA.

3.3 Front panel control

3.3.1 Closing and opening channels

Model 7017 channels are organized into two multiplexer banks as follows:

Multiplexer A: channels 1 to 4

Multiplexer B: channels 5 to 8

To close a Model 7017 multiplexer channel, key in the CHANNEL assignment (1 through 8), and then press the Model 7001/7002 CLOSE key. For example, to close channel 4 of a Model 7017 installed in slot 2, key in the following channel list, and press CLOSE:

```
SELECT CHANNELS 2!4
```

To open a closed channel, press OPEN or OPEN ALL.

You can also simultaneously close one channel in each multiplexer by including both channels in the channel list. For example, to close channels 1 and 5 of a card in slot 1, enter the following channel list:

```
SELECT CHANNELS 1!1,1!5
```

Note that channels are separated by a comma, which can be inserted by pressing either the ENTER or right cursor key.

NOTE

To maintain 50 Ω characteristic impedance, close only one channel per multiplexer simultaneously. Closing more than one channel per multiplexer may cause unexpected results. Program the Model 7001/7002 for restricted operation to avoid closing more than one channel at a time.

Again, you can open closed channels with the OPEN or OPEN ALL key. OPEN opens only channels in the channel list, and OPEN ALL opens all channels.

3.3.2 Scanning channels

To scan through channels, first configure a scan list, and then program the Model 7001/7002 to perform a scan sequence. You can create a scan list in the same manner as you would a channel list. First, however, press the SCAN LIST key to select the SCAN CHANNEL mode, and then enter the desired channels to be included in the scan list. For example, the following list scans channels 1, 3, and 5 through 8 of a Model 7017 installed in slot 2:

```
SCAN CHANNELS 2!1, 2!3, 2!5-2!8
```

Note that channels are scanned in the order they appear in the scan list.

To perform a manual scan, select the RESET default conditions in the SAVESETUP menu of the main MENU. Press STEP to take the mainframe out of the idle state, and then manually scan through channels by pressing the STEP key.

For information on more complex scan sequences, refer to the Model 7001 or 7002 Instruction Manual.

3.4 IEEE-488 bus control

3.4.1 Closing and opening channels

Use the following SCPI commands to close and open channels:

```
:CLOS <list>
:OPEN <list> | ALL
```

For example, the following command will close channels 2 and 6 of a Model 7017 installed in slot 1:

```
:CLOS (@ 1!2,1!6)
```

Conversely, either of the commands below will open previously closed channels 2 and 6:

```
:OPEN (@ 1!2,1!6)
:OPEN ALL
```

Do not close more than one channel per multiplexer to maintain 50Ω characteristic impedance.

3.4.2 Scanning channels

You can perform a simple scan using the following four commands:

```
*RST
:TRIG:SEQ:COUN:AUT ON
:ROUT:SCAN <list>
:INIT
```

The *RST command selects the default scan configuration, while the second command automatically sets the channel count to the number of channels in the scan list. The :ROUT:SCAN command programs the scan list, and the :INIT command takes the mainframe out of the idle state.

For example, send the following commands to scan through all eight channels of a Model 7017 installed in slot 1:

```
*RST
:TRIG:SEQ:COUN:AUT ON
:ROUT:SCAN (@ 1!1:1!8)
:INIT
```

3.5 Switching considerations

Signals passing through the Model 7017 Multiplexer Card are subject to various effects that can influence their characteristics. The following paragraphs discuss some of these effects and ways to minimize them.

3.5.1 Card characteristics

Insertion loss

Insertion loss indicates signal power lost while passing through the card. This loss occurs in the various signal path components through the card (connectors, PC board traces, and relays). The amount of power lost depends on the particular insertion loss specification as well as the applied power. For example, with an insertion loss of 1dB and a 10W source signal applied to the card, about 2W will be dissipated in the card, and approximately 8W will appear at the load. Note that, as with most transmission lines, Model 7017 insertion loss values increase with increasing frequency.

Capacitance

Model 7017 capacitance values are small enough to be of little concern in most applications. In some applications, capacitance may be a factor (primarily with pulse signals where capacitance can affect rise times).

Crosstalk

Crosstalk figures indicate the amount of signal leakage between channels or switches on the card. With similar power levels applied to the various channels, crosstalk will be of little consequence. With widely different power levels, however, crosstalk may produce undesired results. For example, assume that 10W is applied to channel 1, and 1mW is applied to channel 2. Assuming a -60dB crosstalk figure, the unwanted signal coupled from channel 1 to channel 2 will only be 20dB below the desired channel 2 signal.

VSWR

VSWR (Voltage Standing Wave Ratio) is the ratio of the maximum and minimum voltages along a transmission path. It indicates the degree of impedance mismatch. In a perfectly matched system, the VSWR is 1, while open and shorted paths have infinite VSWR values. Since VSWR is related to both the return loss and reflection coefficient, VSWR figures indicate the degree of signal loss and reflection. The lower the VSWR figure, the less signal attenuation that occurs along the transmission path.

Path isolation resistance

The path isolation resistance is the equivalent resistance between two given connecting points on the card and is of importance primarily for DC and low-frequency AC signals switched by the card. The effects of this characteristic depend on the particular isolation specification. Center-to-shield isolation resistance, for example, may cause loading problems with signals having high source resistance. Channel-to-channel isolation resistance may result in leakage currents generated in one channel caused by a voltage source connected to another channel.

3.5.2 Cable characteristics

Characteristic impedance (Z_0)

Characteristic impedance is the value of cable impedance obtained by an RF measurement at either end. For example, a cable with a 50Ω characteristic impedance is equivalent to a 50Ω resistor with sufficient length to connect two components. (The characteristic impedance of a cable depends on the relative diameters of the inner and outer conductors, as well as on the dielectric constant of the insulating material.) Since the Model 7017 is designed to work with 50Ω cables, you must use 50Ω cables to assure proper impedance matching. (RG223/U cable is recommended.) Mismatching anywhere along the transmission path will increase VSWR and signal reflections, decrease return loss, and consequently result in signal attenuation.

Cable attenuation

Cable attenuation is analogous to insertion loss of the card itself in that it defines the degree of attenuation of the signal as it passes through the cable. Cable attenuation factors are generally given in dB per 100 ft. and increase with rising frequency. For example, the recommended RG223/U cable has an attenuation factor of 8.8dB/100 ft. @ 400MHz.

Cable termination

Proper cable termination is imperative to ensure maximum signal transfer and to minimize VSWR and signal reflections. In the case of Model 7017 operation, both source and load impedances should be as close to 50Ω as possible to assure optimum matching and maximum power transfer. For example, if a 50Ω cable is terminated with 100Ω , the reflection coefficient is 0.33, the VSWR increases to 2, and the return loss is reduced to less than 10dB.

Distributed capacitance

The distributed capacitance of the cable may be a factor, but generally only for pulse type signals where rise times are a consideration. The recommended RG223/U cable, for example, has a nominal distributed capacitance of 30.8pF/ft.

Cable connectors

Cable connectors are necessary to conveniently make signal connections to various points in a switching system. While SMA connector designs are optimized for best performance, some small impedance mismatch at connecting points is virtually inevitable. For that reason, it is considered good practice to minimize the number of connectors used in a transmission path, especially at higher frequencies.

3.6 Applications

The Model 7017 is designed primarily for RF switching applications at frequencies up to 800MHz. The following paragraphs discuss typical RF applications for the Model 7017, including multiplexer expansion, filter testing, and tape head production testing.

3.6.1 Multiplexer expansion

Basic “T” configuration

The simplest way to connect two Model 7017 multiplexers together for expansion is to use the classic “T” configuration shown in Figure 3-1. Note that this configuration results in a 1-of-8 multiplexer. Although this configuration is useful in many applications, the ideal 50Ω characteristic impedance will not be maintained. Consequently, VSWR will increase, affecting card insertion loss particularly at higher frequencies. Considerable transmission path reflections will also occur, which is an important consideration when switching pulse signals.

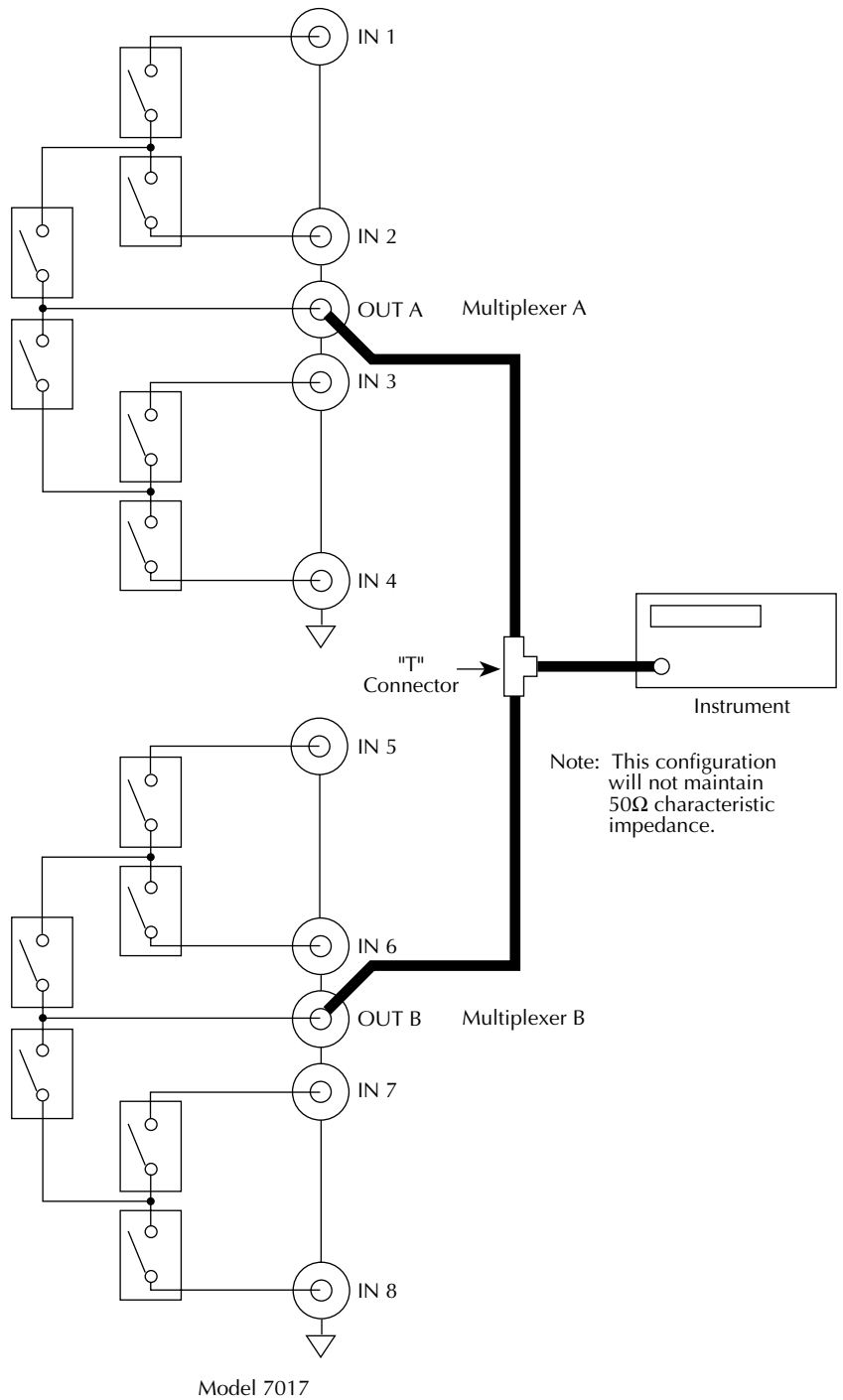


Figure 3-1
"T" connector multiplexer expansion

Maintaining 50Ω characteristic impedance

The proper method for connecting two Model 7017 multiplexers together is shown in Figure 3-2. Here, the A and B outputs of one Model 7017 are connected to two inputs of multiplexer A of a second Model 7017 card. With this configuration, the proper 50Ω characteristic impedance is maintained for optimum bandwidth and minimal signal loss and reflections.

Matrix connections

A 4 × 4 matrix may be formed by connecting the two outputs together using a short coaxial cable, as shown in Figure 3-3. Note that this connection scheme provides a convenient way to connect four DUTs to four different test instruments. This method also maintains the proper 50Ω characteristic impedance.

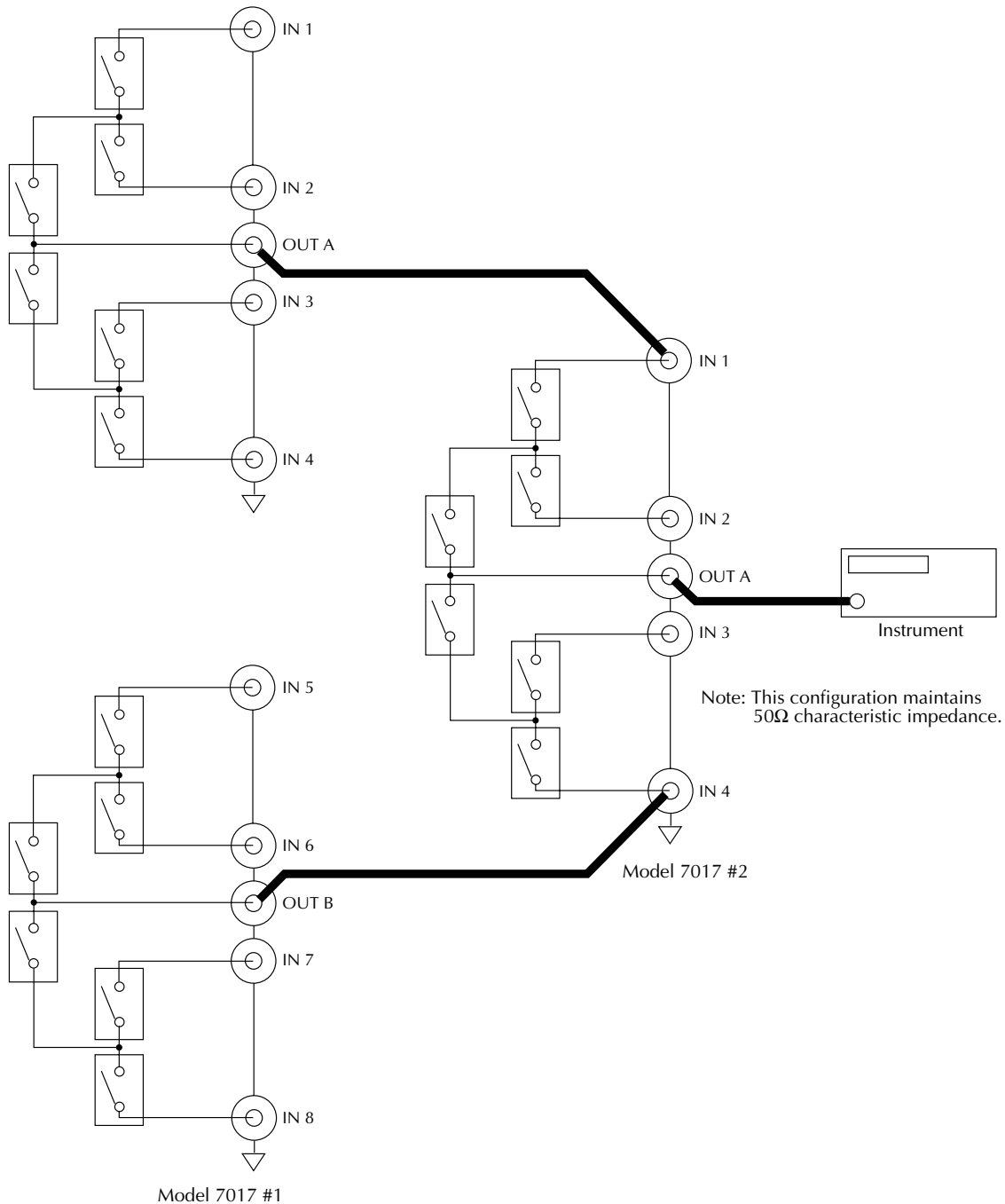
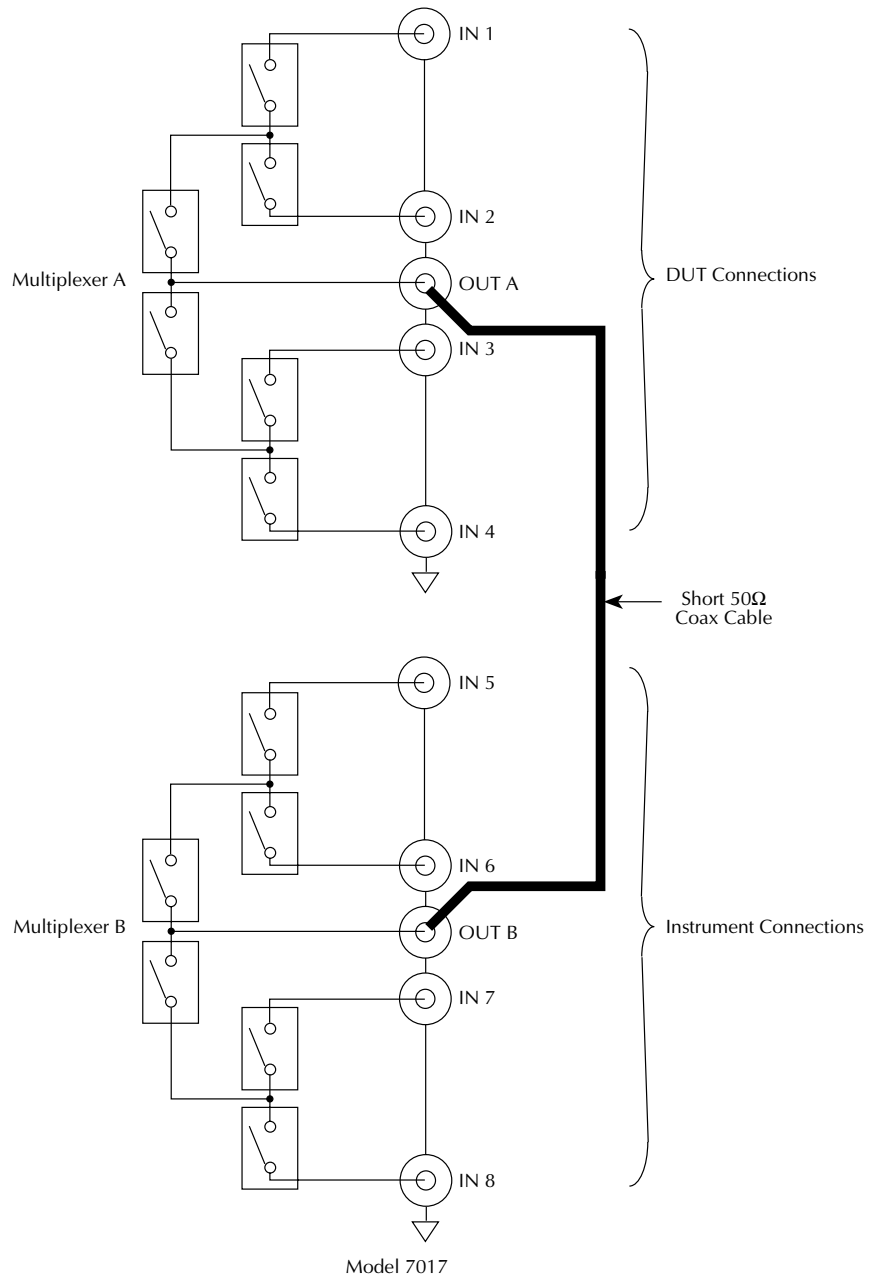
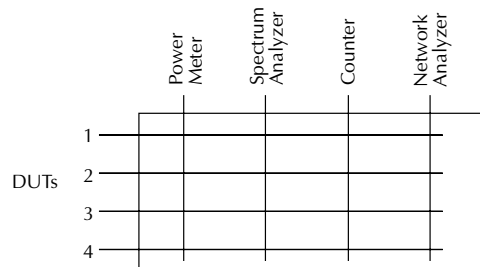


Figure 3-2
Maintaining 50Ω characteristic impedance



A. Connections



B. 4 x 4 Matrix Configuration

Figure 3-3
4 x 4 matrix connection

3.6.2 Filter testing

Filter frequency response and phase characteristics are key circuit parameters that often require testing. The Model 7017 may be used in conjunction with a network analyzer to test multiple filters on an automated basis.

Figure 3-4 shows a typical circuit configuration for testing four filters. Note that the network analyzer input is connected to the output of one Model 7017 multiplexer. One terminal of each DUT is connected to a corresponding Model 7017 channel, while the remaining DUT terminals are connected in common to the network analyzer output port.

The basic configuration shown in Figure 3-4 may also be used for a variety of other tests. For example, the same general scheme may be used to test amplifier S-parameters.

3.6.3 Tape head production testing

The Model 7017 can be used with an LCR bridge to production test tape heads. Such testing generally involves measuring device impedance variations to help control manufacturing processes.

Figure 3-5 shows the general circuit configuration for production testing using the Model 7017 along with a suitable LCR bridge. Since 4-wire connections are required for such measurements, a minimum of two Model 7017 cards are necessary for this application. Each multiplexer switches one of the four required signal paths to the DUTs, and each pair of cards can test a maximum of four devices. Additional cards can be added as described in paragraph 3.6.1 to expand device test capabilities by adding more multiplexer channels.

Key parameters and advantages for using the Model 7017 for these production tests are:

- Small-signal, high-frequency AC switching: 20mV, 100 μ A @ 10MHz.
- Long relay life: >10⁸ closures.
- High repeatability with little resistance variation between closures: < 10m Ω .

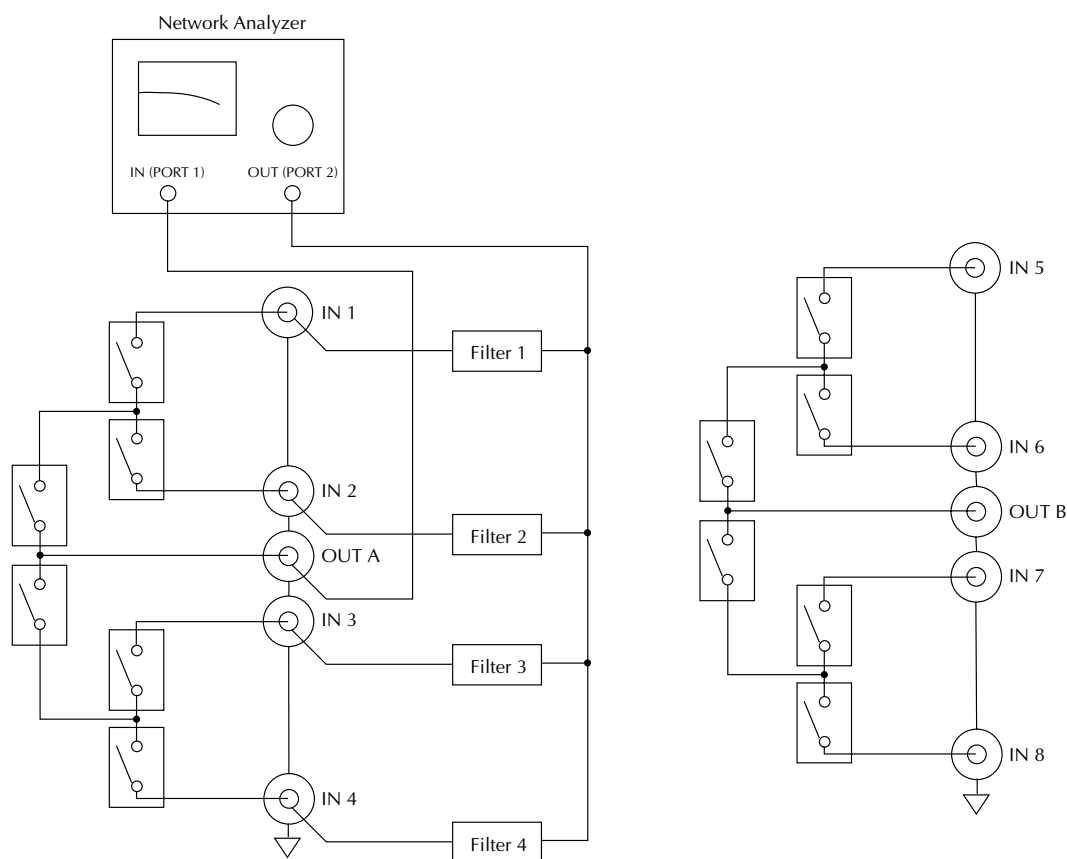


Figure 3-4
Filter testing

Model 7017

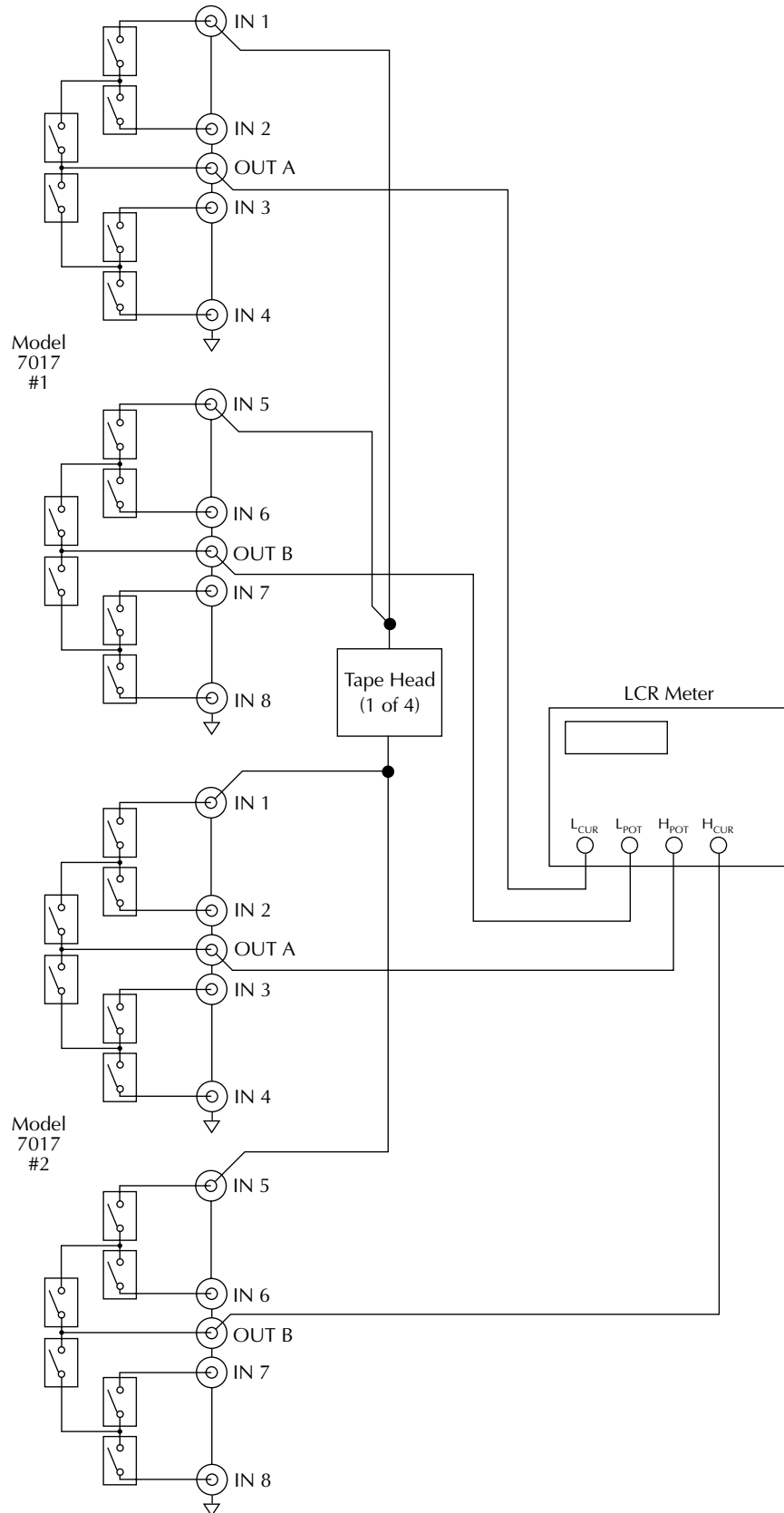


Figure 3-5
Tape head production testing

4

Servicing

4.1 Introduction

This section contains information necessary to service the Model 7017 and includes information on handling and cleaning, performance verification, as well as principles of operation and troubleshooting.

WARNING

The information in this section is intended for qualified service personnel only. Some of the procedures may expose you to hazardous voltages that could result in personal injury or death. Do not perform these procedures unless you are qualified to do so.

4.2 Handling and cleaning precautions

Because of the high-impedance areas on the Model 7017, care should be taken when handling or servicing the card to prevent possible contamination. The following precautions should be observed when servicing the card.

4.2.1 Handling precautions

Observe the following precautions when handling the multiplexer card:

- Handle the card only by the edges and shields.
- Do not touch connector insulators.
- Do not touch any board surfaces or components not associated with the repair.

- Do not touch areas adjacent to electrical contacts.
- When servicing the card, wear clean cotton gloves.
- Do not store or operate the card in an environment where dust could settle on the circuit board.
- Use dry nitrogen gas to clean dust off of the board if necessary.

4.2.2 Soldering considerations

Should it become necessary to use solder on the circuit board, observe the following precautions:

- Use an OA-based (organic activated) flux, and take care not to spread the flux to other areas of the circuit board.
- Remove the flux from the work areas when the repair has been completed. Use pure water along with clean cotton swabs or a clean soft brush to remove the flux.
- Once the flux has been removed, swab only the repaired area with methanol, and then blow-dry the board with dry nitrogen gas.
- After cleaning, allow the card to dry in a 50°C low-humidity environment for several hours before use.

4.3 Performance verification

The following paragraphs provide performance verification procedures for the Model 7017. These tests include insertion loss and isolation tests.

4.3.1 Environmental conditions

All performance verification measurements should be made at an ambient temperature of 18°C to 28°C and <70% relative humidity.

4.3.2 Recommended verification equipment

Table 4-1 summarizes the test equipment recommended for performance verification. Alternate equipment may be used as long as the corresponding specifications are at least as good as those listed.

Table 4-1
Recommended verification equipment

Description	Manufacturer and Model	Specifications	Test
Network Analyzer	HP8754A	10MHz-800MHz	Insertion loss
Test Set	HP8753C		
Cable Set	HP11851		
Electrometer	Keithley 6517	1GΩ, ±0.226%	Isolation

4.3.3 Insertion loss tests

Insertion loss tests are performed by applying a 10MHz-800MHz signal from a network analyzer to the Model 7017 channel inputs and then measuring the amount of attenuation as the signal passes through the card.

Perform the following steps:

1. Set the network analyzer to sweep the 10MHz to 800MHz frequency range.
2. Normalize the analyzer reference channel to 0dB on the display.
3. Connect the network analyzer to the Model 7017 as shown in Figure 4-1. Be sure to use 50Ω cables and set up for all insertion loss tests.
4. Install the Model 7017 in the Model 7001 or 7002 main-frame.
5. Close channel 1 on the Model 7017 card.
6. Verify that the insertion loss values are within the limits shown in Table 4-2.
7. Open the closed channel.
8. Repeat steps 3 through 7 for channels 2 through 8. For each channel:
 - Connect the analyzer signal to the input jack of the channel being tested.
 - Be sure the signal output cable is connected to the correct output jack.
 - Close only the channel being tested.
 - Verify that the insertion loss values at the various frequencies are within the limits stated in Table 4-2.

Table 4-2
Insertion loss values

Frequency	Insertion loss
10MHz	<0.35dB
100MHz	<1dB
500MHz	<2dB
800MHz	<3dB

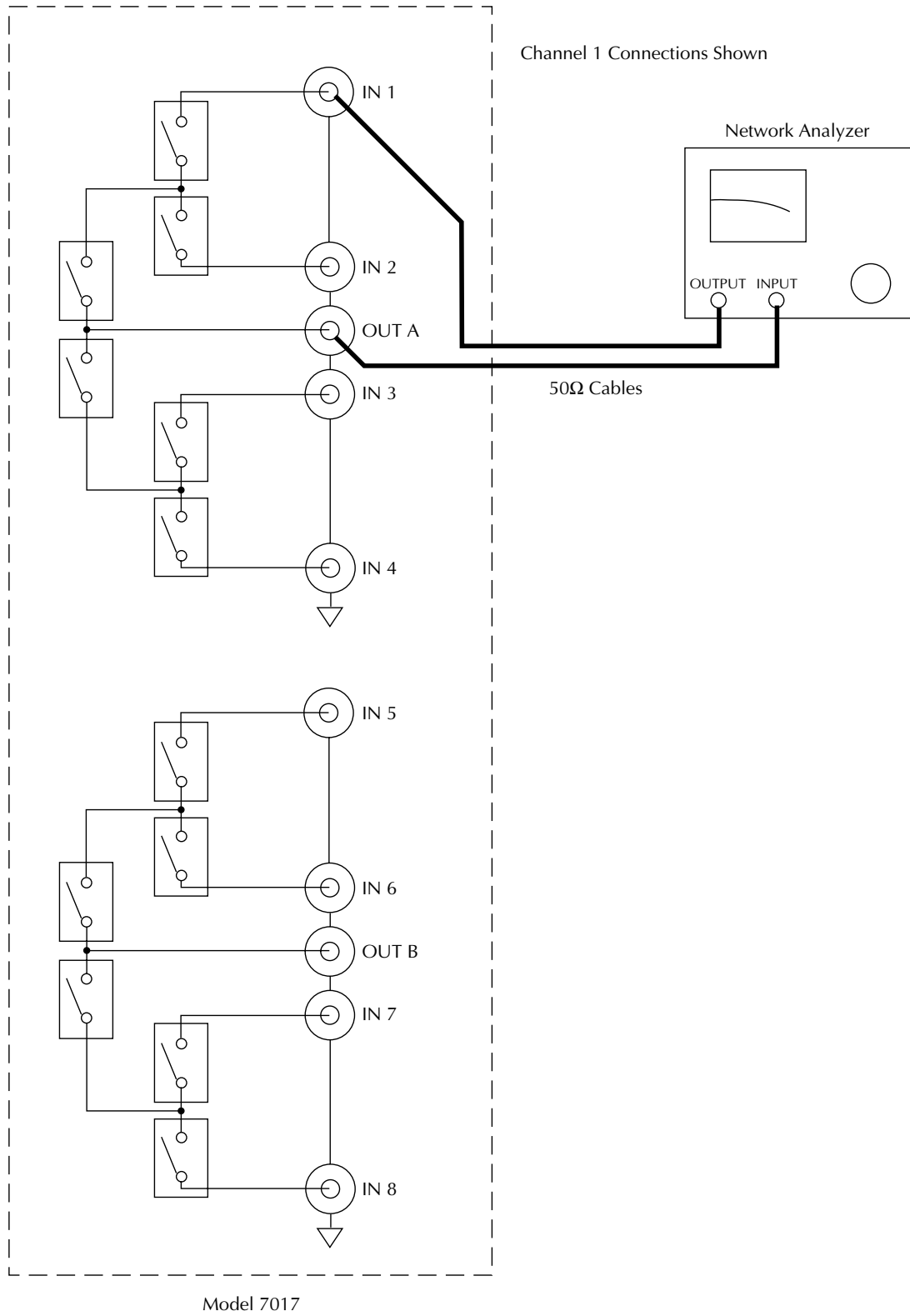


Figure 4-1
Connections for insertion loss tests

4.3.4 Isolation tests

Isolation tests check the leakage resistance (isolation) between various Model 7017 terminals using the ohms function of a Model 6517 Electrometer.

CAUTION

The following tests use the Model 6517 voltage source to measure resistance. Do not apply more than 42V to the Model 7017 to avoid card damage.

Channel isolation tests

Perform the following steps to check channel isolation:

1. Connect the Model 6517 Electrometer to the center conductors of channels 1 and 2, as shown in Figure 4-2.
2. With the power off, install the Model 7017 card in the mainframe.
3. Turn on the mainframe and the Model 6517 power, and allow the electrometer to warm up for at least one hour before making measurements. Make sure the voltage source is turned off.
4. Select the Model 6517 ohms function, choose the 2G Ω range, and make sure zero check is disabled.
5. Close channel 1 on the Model 7017.
6. Program the Model 6517 voltage source for 40V, and make sure the internal voltage source connection mode is selected.
7. Turn on the Model 6517 voltage source, and allow the reading to settle.
8. Verify that the Model 6517 resistance reading is >1G Ω .
9. Turn off the voltage source, and open channel 1.
10. Repeat the procedure for channels 2 through 4, measuring the resistance between the center conductor of each channel and the center conductors of all other channels of multiplexer A. For each test:
 - Connect the electrometer to the center conductors of the two channels being tested.
 - Close only one of the channels being tested.
11. Repeat the entire procedure to test channel isolation between all multiplexer B channels (channels 5 through 8).

Center-to-shield isolation

Perform the following steps to check center-to-shield isolation:

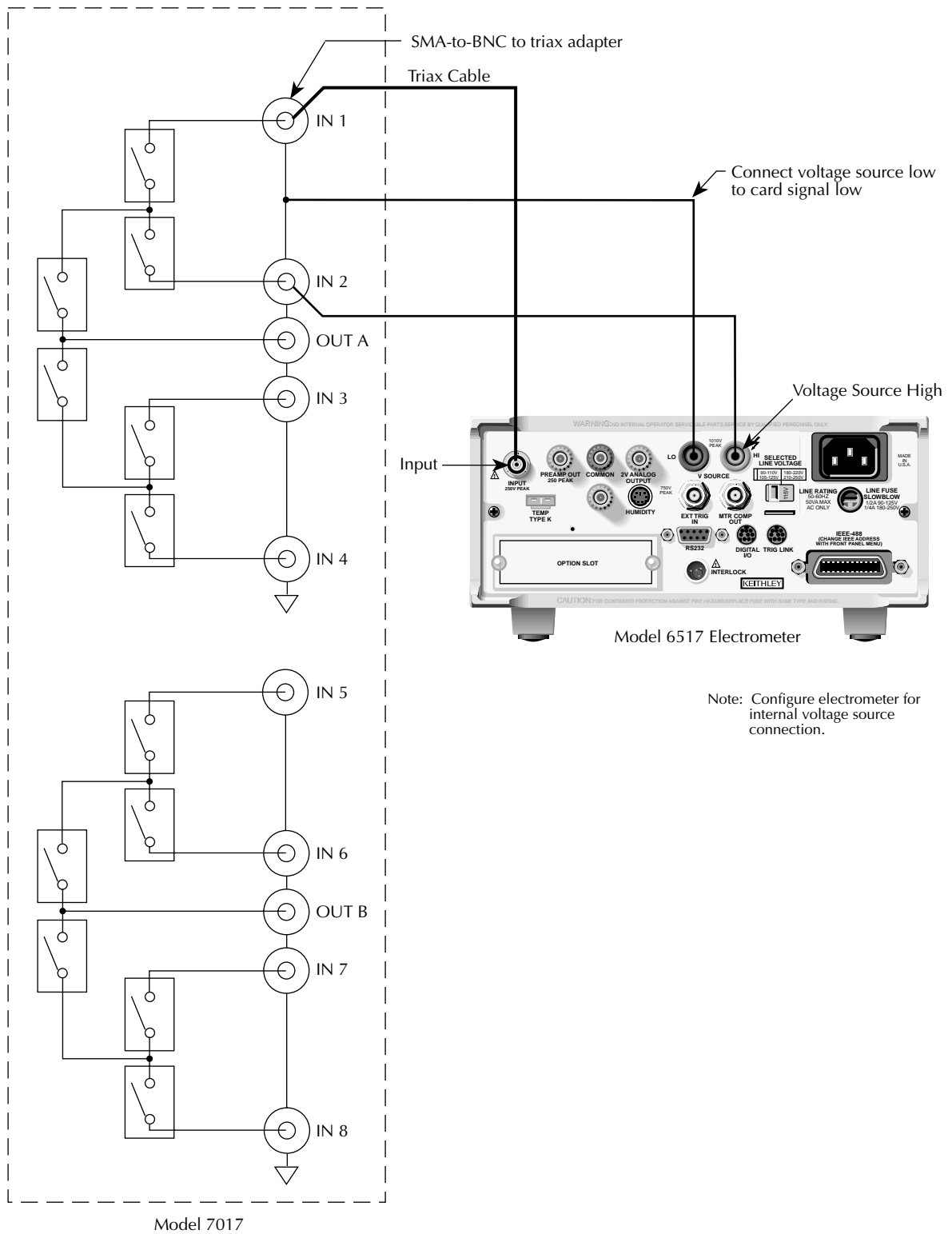
1. Connect the Model 6517 Electrometer to the center conductor and shield of channel 1, as shown in Figure 4-3.

2. With the power off, install the Model 7017 card in the mainframe.
3. Turn on the mainframe and the Model 6517 power, and allow the electrometer to warm up for at least one hour before making measurements. Make sure the voltage source is turned off.
4. Select the Model 6517 ohms function, choose the 2G Ω range, and make sure zero check is disabled.
5. Close channel 1 on the Model 7017.
6. Program the Model 6517 voltage source for 40V, and make sure the internal voltage source connection mode is selected.
7. Turn on the Model 6517 voltage source, and allow the reading to settle.
8. Verify that the Model 6517 resistance reading is >1G Ω .
9. Turn off the voltage source, and open channel 1.
10. Repeat the procedure for channels 2 through 8, measuring the resistance between the center conductor and shield of each channel. For each test:
 - Connect the electrometer to the center conductor and shield of the channel being tested.
 - Close only the channel being tested.

Multiplexer-to-multiplexer isolation

Perform the following steps to check multiplexer-to-multiplexer isolation:

1. Connect the Model 6517 Electrometer to the center conductors of channels 1 and 5, as shown in Figure 4-4.
2. With the power off, install the Model 7017 card in the mainframe.
3. Turn on the mainframe and the Model 6517 power, and allow the electrometer to warm up for at least one hour before making measurements. Make sure the voltage source is turned off.
4. Select the Model 6517 ohms function, choose the 2G Ω range, and make sure zero check is disabled.
5. Close channels 1 and 5 on the Model 7017.
6. Program the Model 6517 voltage source for 40V, and make sure the internal voltage source connection mode is selected.
7. Turn on the Model 6517 voltage source, and allow the reading to settle.
8. Verify that the Model 6517 resistance reading is >1G Ω .
9. Turn off the voltage source, and open channels 1 and 5.



Note: Configure electrometer for internal voltage source connection.

Figure 4-2
Connections for channel isolation tests

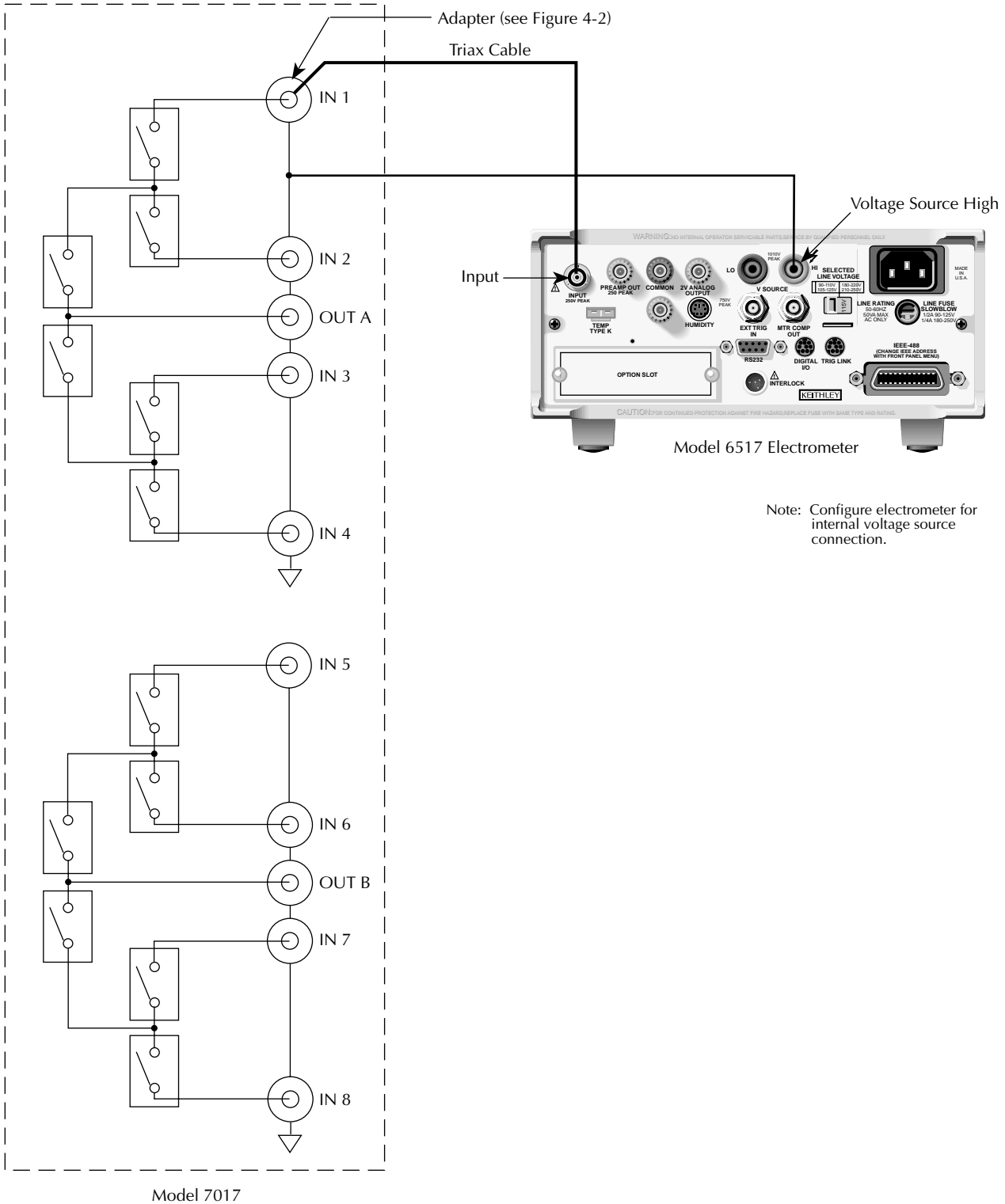


Figure 4-3
Connections for center-to-shield isolation tests

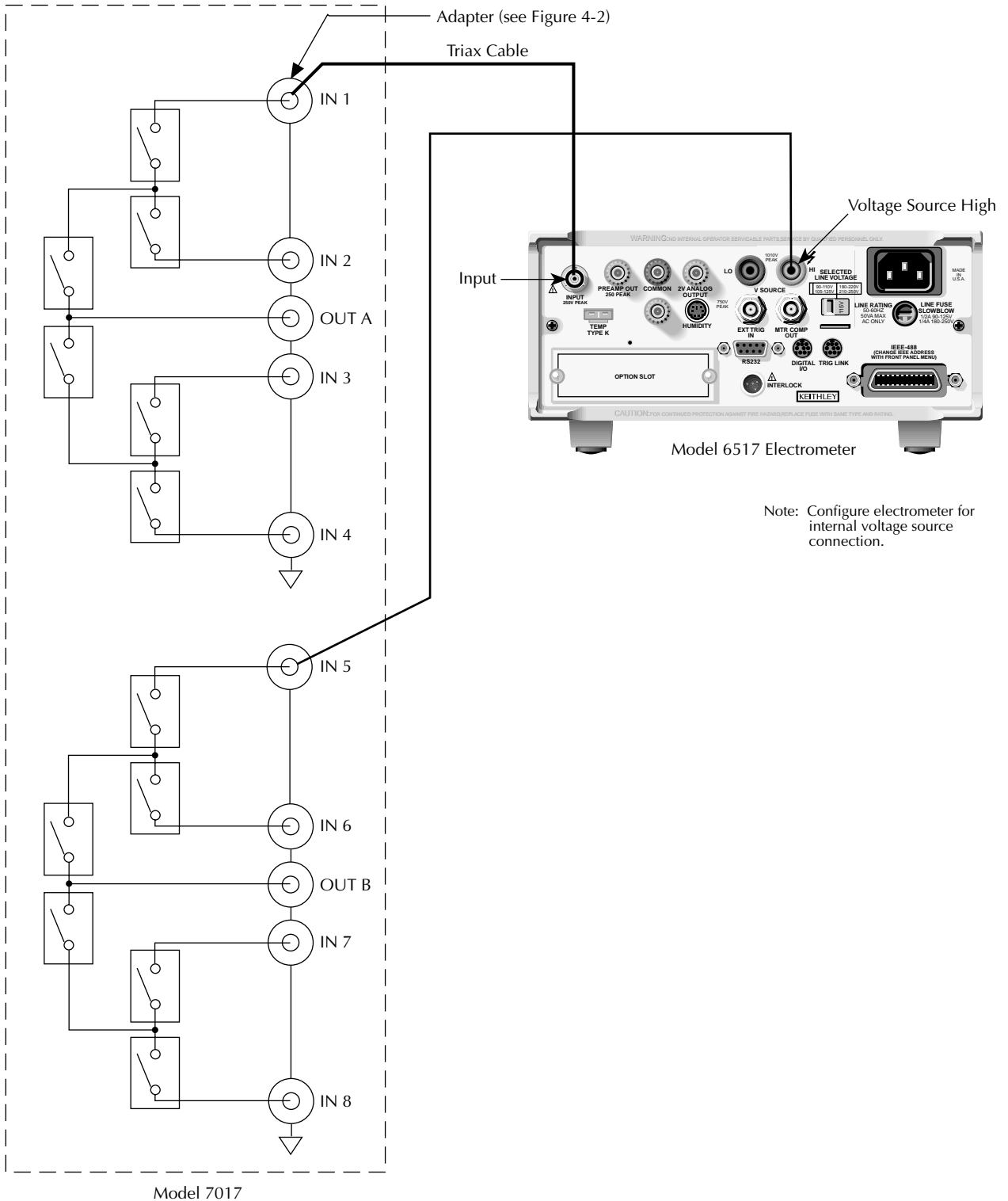


Figure 4-4
Connections for multiplexer-to-multiplexer isolation tests

4.4 Special handling of static-sensitive devices

CMOS and other high-impedance devices are subject to possible static discharge damage because of the high-impedance levels involved. When handling such devices, observe the following precautions.

NOTE

To prevent damage, assume all parts are static-sensitive.

- Such devices should be transported and handled only in containers specially designed to prevent or dissipate static build-up. Typically, these devices will be received in anti-static containers made of plastic or foam.
- Keep these parts in their original containers until ready for installation or use.
- Remove the devices from their protective containers only at a properly grounded workstation. Also, ground yourself with an appropriate wrist strap while working with these devices.

- Handle the devices only by the body; do not touch the pins or terminals.
- Any printed circuit board into which the device is to be inserted must first be grounded to the bench or table.
- Use only anti-static type de-soldering tools and grounded-tip soldering irons.

4.5 Principles of operation

The following paragraphs discuss the basic Model 7017 operating principles that can be used as an aid in troubleshooting the card. The schematic diagram of the card is located at the end of Section 5.

4.5.1 Block diagram

Figure 4-5 shows a simplified block diagram of the Model 7017. Key sections include the relay data control circuits, the relay driver ICs, the relays, and the card configuration memory. These elements are discussed in the following paragraphs.

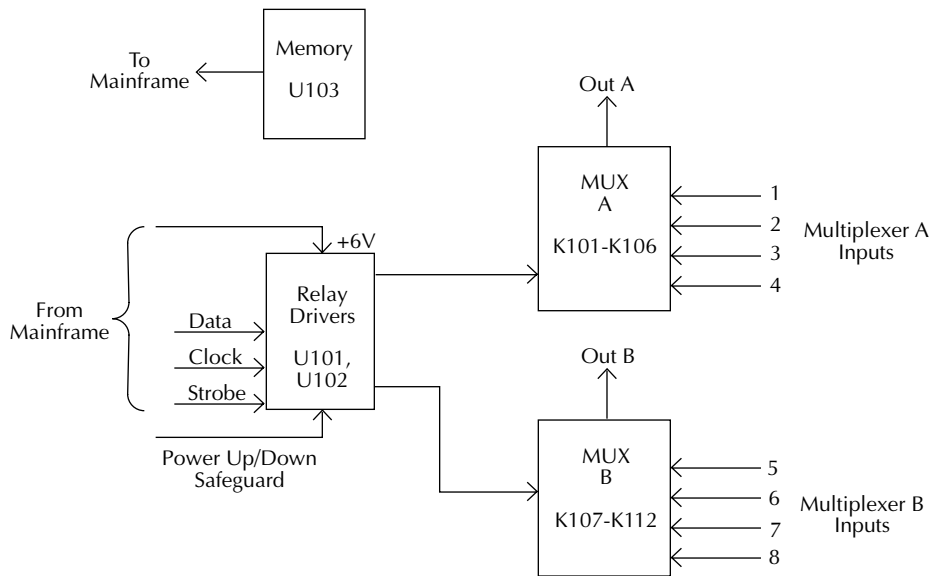


Figure 4-5
Block diagram

4.5.2 Relay control

Card relays are controlled by serial data transmitted from the host switching mainframe via the DATA line. Each control byte is shifted in serial fashion into latches located in the card relay driver IC (U102). The serial data is clocked in by the CLK (clock) line.

Once the relay control byte has been shifted into the card, the STR line is set high to latch the relay information into the Q outputs of the relay drivers, and the appropriate relays are energized (assuming the driver outputs are enabled, as discussed below). Note that a relay driver output goes low to energize the corresponding relay. Additional drive capability for relays K103, K106, K109, and K110 is provided by U101.

The output enable (OE) line of U102 is controlled by the power-up/power-down safeguard circuit located in the mainframe. This circuit assures that no card relays are inadvertently energized when the mainframe power is turned on or off.

4.5.3 Switching circuits

Signal switching is performed by relays K101 through K112. K101, K102, K105, and K106 switch channels 1 through 4, while K107, K108, K111, and K112 switch channels 5 through 8. K103 and K104 provide additional switching to assure proper isolation for multiplexer A, while K109 and K110 provide a similar function for multiplexer B.

4.5.4 Card configuration memory

Card configuration information is stored in U103. This information is serially read by the mainframe during power-up and lets the unit determine the card model number and card relay configuration information so the mainframe can control the appropriate relays accordingly.

4.6 Troubleshooting

4.6.1 Troubleshooting equipment

Table 4-3 summarizes recommended equipment for troubleshooting the Model 7017.

Table 4-3
Recommended troubleshooting equipment

Description	Manufacturer and Model	Application
Multimeter	Keithley 2000	DCV checks
Oscilloscope	TEK 2243	View logic waveforms

4.6.2 Troubleshooting procedure

Table 4-4 summarizes multiplexer card troubleshooting steps. Refer to the schematic diagram and component layout drawing at the end of Section 5 for component locations.

CAUTION

Use care when removing relays from the PC board to avoid pulling traces away from the circuit board. Before attempting to remove a relay, use an appropriate de-soldering tool to clear each mounting hole completely free of solder. Each relay pin must be free to move in its mounting hole before removal. Also, make sure no burrs are present on the ends of the relay pins.

Table 4-4
Troubleshooting procedure

Step	Item/component	Required condition	Comments
1	Digital common P2001, pins 15 and 16		All voltages referenced to digital common.
2	P2001, pin 1	+6V	Card +6V relay supply voltage.
3	P2001, pin 13	+5V	Card +5V logic supply.
4	U102, pin 2	CLK pulses	During relay update sequence only.
5	U102, pin 3	DATA pulses	During relay update sequence only.
6	U102, pin 7	STR pulses	During relay update sequence only.
7	U102, pins 11 through 18	Low with relay on, high with relay off.	Relay driver outputs.
8	U101, pins 4, 6, 15, 17	Low with relay on, high with relay off.	K103, K106, K109, K110 only.

5

Replaceable Parts

5.1 Introduction

This section contains replacement parts information, schematic diagrams, and component layout drawings for the Model 7017.

5.2 Parts list

The parts list for the multiplexer card is included in tables integrated with the schematic diagram and component layout drawing. Parts are listed alphabetically in order of circuit designation.

5.3 Ordering information

To place an order or to obtain information concerning replacement parts, contact your Keithley representative or the factory (see the inside front cover for addresses). When ordering parts, be sure to include the following information:

- Card model number (7017)
- Card serial number
- Part description
- Circuit description, if applicable
- Keithley part number

5.4 Factory service

If the card is to be returned to Keithley Instruments for repair, perform the following:

- Call the Repair Department at 1-800-552-1115 for a Return Material Authorization (RMA) number.
- Complete the service form at the back of this manual and include it with the card.
- Carefully pack the card in the original packing carton.
- Write ATTENTION REPAIR DEPARTMENT and the RMA number on the shipping label.

NOTE

It is not necessary to return the switching mainframe with the card.

5.5 Component layout and schematic diagram

A component layout drawing and schematic diagram are included on the following pages integrated with the parts list.

Table 5-1
Model 7017 parts list

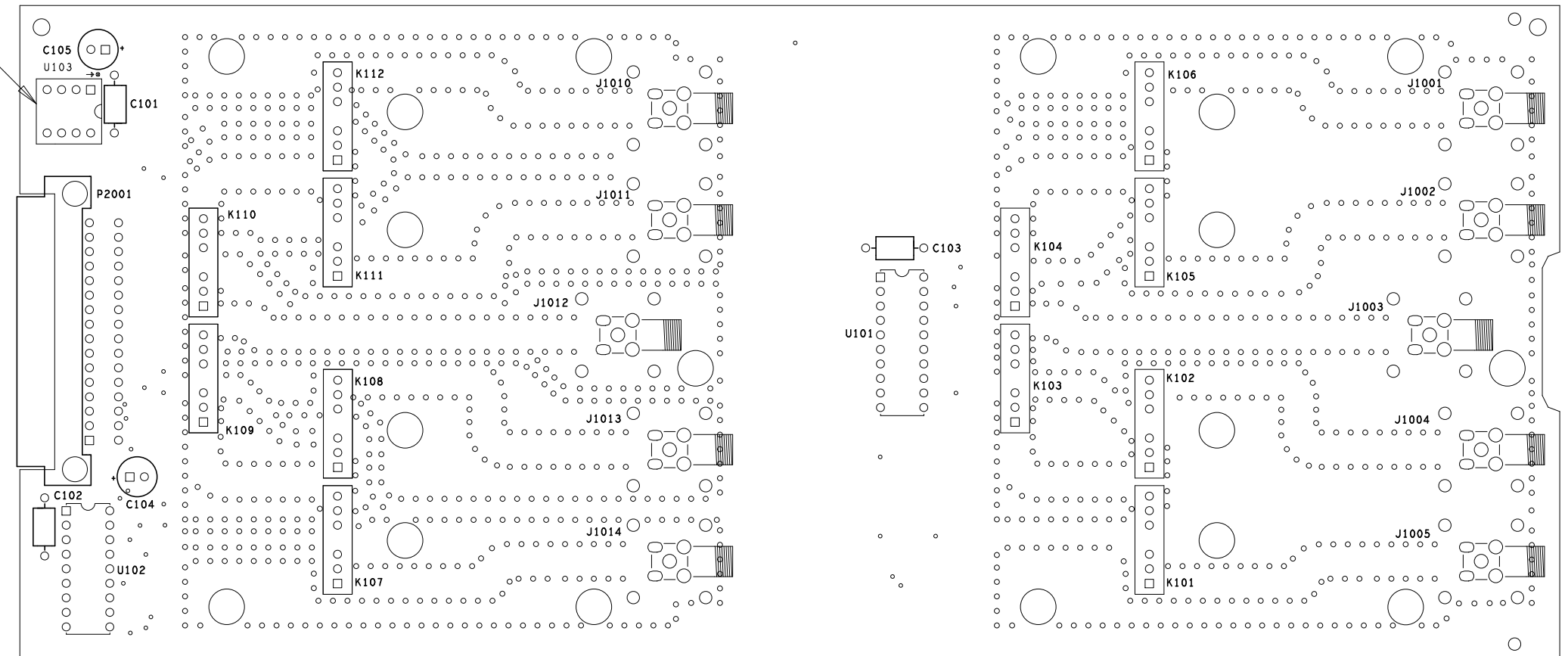
Circuit design.	Description	Keithley part number
C101,102,103	PROGRAMMED EPROM	7017-800-*
C104,105	CAP, .1UF,20%,50V,CERAMIC	C-365-.1
J1001-1005, 1010-1014	CAP, 10UF,-20+100%,25V,ALUM ELEC RT. ANGLE JACK RECEPTACLE	C-314-10 CS-905
K101-112	RELAY (SPST),GORDOS,4705S	RL-131
P2001	CONNECTOR, 32-PIN, 2-ROWS	CS-775-1
U101	IC, 8-CHANNEL DRIVER, 2597A	IC-538
U102	IC, 8-BIT SERIAL-IN LATCHDRIVER,5841A	IC-536
U103	IC, SERIAL EPROM, 24C01P	IC-737

* Order same firmware revision level as present part.

7017-100
ON

LTR.	ECA NO.	REVISION	ENG.	DATE
A		PRELIMINARY		
B	18394	RELEASED	SZ	2-16-96
B2	25917	CHG'D U103 FROM IC-737 TO TC17-100.	KK	6/20/01

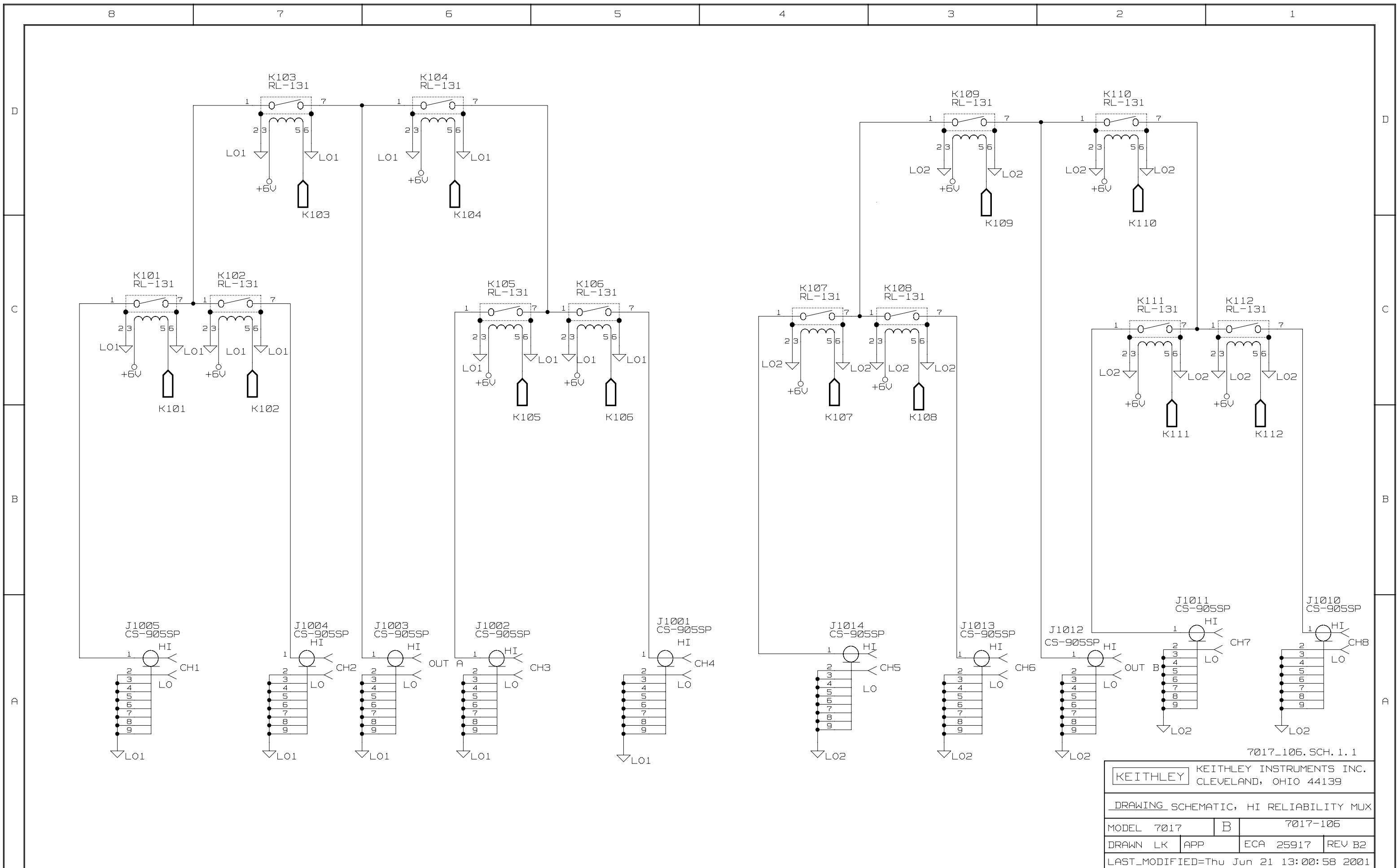
TC17-100 BOARD ASS'Y.
ORIENT ARROW TOWARDS
PIN 1 OF DEVICE.



NOTE: FOR COMPONENT INFORMATION, SEE PRODUCT STRUCTURE

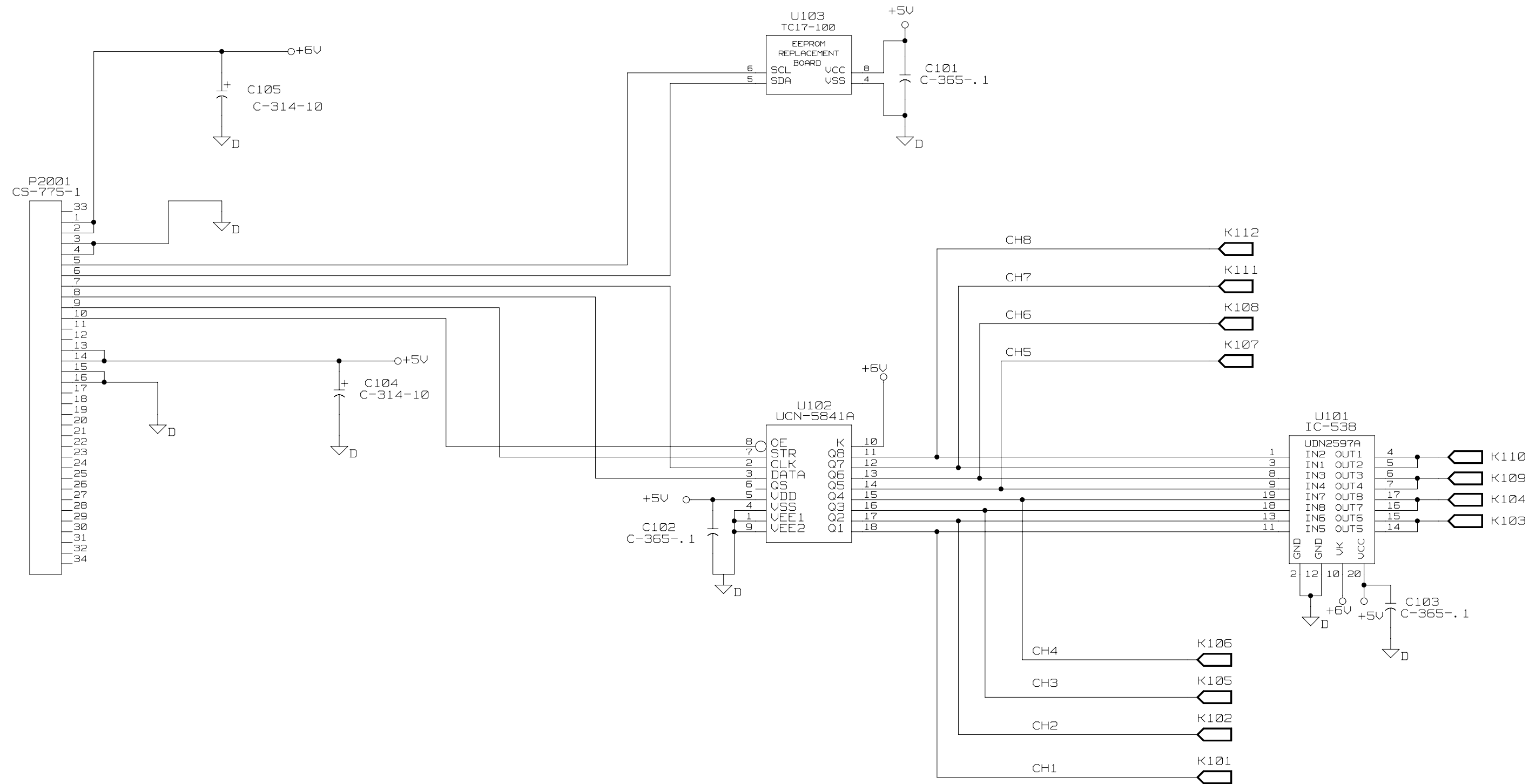
MODEL	NEXT ASSEMBLY	QTY.
USED ON		

 KEITHLEY INSTRUMENTS INC. CLEVELAND, OHIO 44139	DIM ARE IN IN. UNLESS OTHERWISE NOTED	DATE 11/20/95	SCALE 1:1	TITLE COMPONENT LAYOUT, HI RELIABILITY MUX
	DIM. TOL. UNLESS OTHERWISE SPECIFIED	DRN CAB	APPR.	
	XX=+.01 ANG.=+1 XXX=+.005 FRAC.=+1/64	DO NOT SCALE THIS DRAWING	B NO. 7017-100	



7017-106. SCH. 1.1

KEITHLEY		KEITHLEY INSTRUMENTS INC. CLEVELAND, OHIO 44139	
DRAWING SCHEMATIC, HI RELIABILITY MUX			
MODEL 7017	B	7017-106	
DRAWN LK	APP	ECA 25917	REV B2
LAST_MODIFIED=Thu Jun 21 13:00:58 2001			



7017_106.SCH.1.2

KEITHLEY		KEITHLEY INSTRUMENTS INC. CLEVELAND, OHIO 44139	
DRAWING SCHEMATIC, HI RELIABILITY MUX			
MODEL 7017	B	7017-106	
DRAWN LK	APP	ECA 25917	REV B2
LAST_MODIFIED=Thu Jun 21 13:01:03 2001			

Index

A

Applications 3-3

B

Basic “T” configuration 3-3

Block diagram 4-8

C

Card characteristics 3-2, 3-3

Card configuration 2-1

Card configuration memory 4-9

Card installation and removal 2-4

Closing and opening channels 3-1, 3-2

Component layout and schematic diagram 5-1

Connections and installation 2-1

E

Environmental conditions 4-2

F

Factory service 5-1

Features 1-1

Filter testing 3-8

Front panel control 3-1

G

General information 1-1

H

Handling and cleaning precautions 4-1

Handling precautions 1-2, 2-1, 4-1

I

IEEE-488 bus control 3-2

Input/output connecting cables 2-3

Insertion loss tests 4-2

Inspection for damage 1-2

Instruction manual 1-2

Isolation tests 4-4

M

Manual addenda 1-1

Multiplexer expansion 3-3

O

Operation 3-1

Ordering information 5-1

P

Parts list 5-1

Performance verification 4-1

Principles of operation 4-8

R

Recommended cables and connectors 1-2

Recommended verification equipment
4-2

Relay control 4-9

Repacking for shipment 1-2

Replaceable parts 5-1

S

Safety symbols and terms 1-1

Scanning channels 3-2

Servicing 4-1

Shipment contents 1-2

Signal limitations 3-1

Simplified schematic 2-1

Soldering considerations 4-1

Special handling of static-sensitive
devices 4-8

Specifications 1-1

Switching circuits 4-9

Switching considerations 3-2

T

Tape head production testing 3-8

Troubleshooting 4-9

Troubleshooting equipment 4-9

Troubleshooting procedure 4-9

Typical connecting scheme 2-3

U

Unpacking and inspection 1-2

W

Warranty information 1-1



Service Form

Model No. _____ Serial No. _____ Date _____

Name and Telephone No. _____

Company _____

List all control settings, describe problem and check boxes that apply to problem. _____

- | | | |
|--|--|--|
| <input type="checkbox"/> Intermittent | <input type="checkbox"/> Analog output follows display | <input type="checkbox"/> Particular range or function bad; specify |
| <input type="checkbox"/> IEEE failure | <input type="checkbox"/> Obvious problem on power-up | <input type="checkbox"/> Batteries and fuses are OK |
| <input type="checkbox"/> Front panel operational | <input type="checkbox"/> All ranges or functions are bad | <input type="checkbox"/> Checked all cables |

Display or output (check one)

- | | |
|-----------------------------------|--|
| <input type="checkbox"/> Drifts | <input type="checkbox"/> Unable to zero |
| <input type="checkbox"/> Unstable | <input type="checkbox"/> Will not read applied input |
| <input type="checkbox"/> Overload | |

- | | |
|---|--|
| <input type="checkbox"/> Calibration only | <input type="checkbox"/> Certificate of calibration required |
| <input type="checkbox"/> Data required | |

(attach any additional sheets as necessary)

Show a block diagram of your measurement system including all instruments connected (whether power is turned on or not). Also, describe signal source.

Where is the measurement being performed? (factory, controlled laboratory, out-of-doors, etc.)

What power line voltage is used? _____ Ambient temperature? _____ °F

Relative humidity? _____ Other? _____

Any additional information. (If special modifications have been made by the user, please describe.)

Be sure to include your name and phone number on this service form.

KEITHLEY

Keithley Instruments, Inc.

28775 Aurora Road
Cleveland, Ohio 44139

Printed in the U.S.A.